

Fig. 1

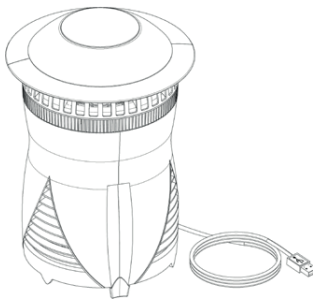


Fig. 2

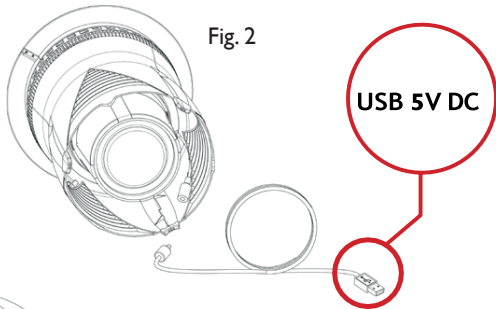


Fig. 3

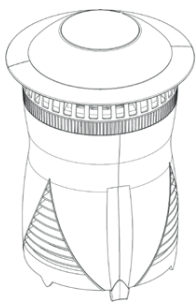


Fig. 4

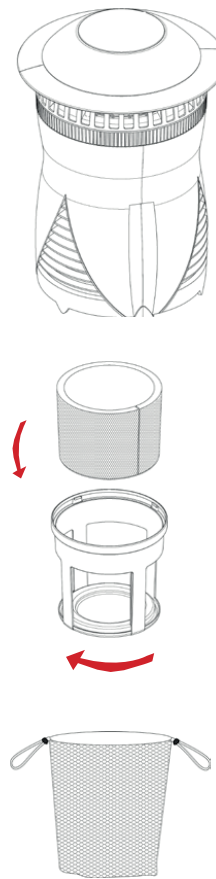
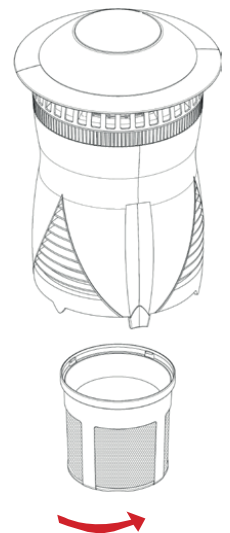


Fig. 5



IMPORTANT SAFETY INSTRUCTIONS

WARNING

When using electric appliances, basic precautions should always be followed, including the following:

- a) Read all the instructions before using the appliance.
 - b) To reduce the risk of injury, close supervision is necessary when an appliance is used near children.
 - c) Do not contact moving parts.
 - d) Only use attachments recommended or sold by the manufacturer.
 - e) To reduce the risk of electrical shock, do not put Insect Light-Trap in water or other liquid.
- Do not place or store appliance where it can fall or be pulled into a tub or sink
- f) CAUTION: To reduce the risk of injury from moving parts, unplug before servicing and cleaning.

SAVE THESE INSTRUCTIONS



TECNICAL SERVICE

To obtain intervention under warranty, the consumer must contact the assistance center by writing to:
inzeptobluycustomer@inzepto.com
 FICG EUROPE Sp z o.o., Adamów 50,
 05-825 Adamów, Poland.
 EPA EST.NO.99529-POL-1



Thank You for choosing INZECTO BLUVY®
This device is protected by one or more patents or patent applications.

ENG

IMPORTANT

Read the Instructions for Use carefully before using the INZECTO BLUVY® device. Keep this manual for future consultation: it contains important instructions for the safe use and maintenance of the device. Ideal for indoors and outdoors: this device is weather resistant and therefore also suitable for outdoor use.

PACKAGE

INZECTO BLUVY®

- Instructions for Use
- USB Cable 5v (to be connected to a single USB socket NOT to a multiple socket, USB Power Adapter not included)
- 10 m Extension Cord
- Insect Collection Basket
- Sponge Filter
- Fine Mesh Bag

TECHNICAL SPECIFICATION

Voltage	5V
Power consumption	5,0 W
LED Driver Type	Constant Current
Input power supply	5 Volt DC
Number of LED's	30
Position of LED	Inward direction
Area of Coverage	500 sq. meters
Dimension:	L: 260 mm x W: 260 mm x H: 380mm
Weight	1370g
Plug type U	USB plug with 10 meter Extension Cord
Visual Characteristics C	Color of the top: Red Colour of the unit: Black
Insect trapping mechanism	Air suction into Insect Collection Basket consisting of Sponge Filter and Fine Mesh Bag

HOW INZECTO BLUVY WORKS®

INZECTO BLUVY® attracts various species of flying insects, in particular sand flies, and mosquitoes of all species, into its area of action thanks to the innovative combination of blue and UV LED lights; once the insects have approached the lights of the trap, the powerful fan sucks them into the special Insect Collection Basket, where they die of dehydration. The Sponge Filter inside the Insect Collection Basket is functional to prevent the larger insects from escaping, while the Fine Mesh Bag with closing system is designed to retain Sand flies.

INSTALLATION AND PLACEMENT

WHEN TO INSTALL THE TRAP?

The trap is most effective in capturing at sunset and sunrise (crepuscular times). But the trap should be left on all the time to dehydrate captured insects and not allow them to escape.

WHERE TO POSITION THE TRAP?

SAND FLY CONTROL: FOR OPTIMAL CATCH RATE traps should be positioned on the ground. Adult Sand flies are weak fliers, travelling with a characteristic short hopping flight, and they usually disperse no more than a few hundred meters from their breeding sites. Most species fly horizontally near ground level.

MOSQUITO CONTROL: FOR OPTIMAL CATCH RATE place the trap approximately 90 cm – 170 cm above the floor/ground level for optimal catch rate. For best catch results it is recommended to keep the unit away from competing light sources.

POSITION the trap near breeding and resting places of Sand flies:

Shaded Areas: Sand flies are most active during dusk and dawn. Position traps in shaded areas where they are likely to seek shelter during the day.

Away from Breeze: Place traps in areas protected from strong winds or breezes, as Sand flies are not strong fliers and may avoid windy areas.

At Human Activity Zones/Outdoor living spaces: Position traps near human activity zones, such as outdoor seating areas or recreation areas.

Position the trap: Near organic waste, vegetation, wood piles; cleaning drainpipes and watercourses; sealing holes and cracks in the walls of buildings; vegetation and water collection drainage systems in parks and urban areas, bushy structures creating shady and humid environments that provide favourable conditions for Sand flies during daytime, walls covered with vegetation and in the sanitary basements of buildings.

Habitats such as crevices in walls, tree holes, firewood stalks, buttress roots, and animal burrows are considered as favourable resting habitats of adult Sand flies considerable potential in such sites to be used as resting places due to cool and humid conditions. Man-made soil mounds are known to be a common Sand fly breeding ground. **USE MULTIPLE TRAPS:** Deploy multiple traps to increase coverage and effectiveness, especially in larger areas. **REGULAR MAINTENANCE:** Check and empty the traps regularly to prevent them from becoming too full.

IMPORTANT SAFETY NOTES

WARNINGS: USE THE SUPPLIED CABLE ONLY FOR THIS DEVICE.

Remove all packaging material and, to avoid danger of suffocation, do not allow children to play with it. The device can be used both indoors and outdoors. The appliance is not intended to be used by people (including children) whose physical, sensory or mental capabilities are reduced, or who lack experience or knowledge, unless they have been able to benefit, through the intermediation of a person responsible for their safety, supervision or instructions concerning the use of the appliance. The appliance must be kept out of the reach of children. Children must be supervised to ensure they do not play with the appliance. Connect the power supply to a wall outlet protected from humidity and water; do not use extension cords. If you need an extension, use the accessory supplied with INZECTO BLUVY® that you find inside the package, which is equivalent to 10 meters of low voltage extension. Protect the connectors from water and splashes of water. The appliance must not be used in places where flammable or explosive dust or vapors may be present. Do not use the appliance if it is broken. Do not use the appliance if wet or with traces of humidity. There is a risk of electric shock if a garden hose is directed at the device. Not suitable for use in barns, stables and similar places. Do not let the cord or plug touch hot surfaces. If the power cord is damaged, it must be replaced by the

manufacturer or its technical assistance service or in any case by a person with similar qualifications, in order to prevent any risk. If a part of the appliance is damaged, do not attempt to carry out the repairs yourself, but contact a service center. Unplug device when not in use, during the winter months. Place on the floor; but always on horizontal surfaces. Always ensure that there is enough space around INZECTO BLUVY® for air circulation. The device must only be used with the power supply supplied with the product and must only be powered at very low safety voltage (5 Volt DC with USB cable).

This appliance is intended solely and exclusively for the use for which it was designed and both the Manufacturer EUROEQUIPE srl and the Distributor F.I.C.G. International Srl is not responsible for any damage resulting from improper use.

Do not connect INZECTO BLUVY® to the power if it is wet. IMPORTANT: Please connect to single USB socket NOT to a multiple socket.

WARRANTIES

CONDITIONS: The appliance is guaranteed for a period of two years from the date of purchase which is proven by a document valid for tax purposes issued by the authorized reseller certifying the name of the reseller and the date on which the sale was made.

This guarantee does not affect the rights that the consumer derives from Legislative Decree 24/2002 "implementation of dir. 99/44/EC on certain aspects of the sale and guarantee of consumer goods", rights that the consumer can only enforce against his seller on the territory of the EU.

During the 24-month warranty period, F.I.C.G. International Srl undertakes to repair or replace free of charge the component parts of the appliance recognized as defective at the origin due to manufacturing defects. The shipping costs of the defective device are the responsibility of the consumer.

In the event of irreparable failure or repeated failure of the same origin, the appliance will be replaced at the manufacturer's discretion. The warranty on the new device will continue until the end of the original contract. The warranty does not cover all parts that may be defective due to negligence or negligence in use (failure to observe the instructions for operating the appliance), incorrect installation or maintenance performed by unauthorized personnel, transport damage or of circumstances which, in any case, cannot be traced back to manufacturing defects of the appliance.

The guarantee also excludes in all cases of improper use of the appliance.

To obtain intervention under warranty, the consumer must contact the assistance center by writing to: inzectoblucustomercare@inzecto.com

F.I.C.G. International Srl declines all responsibility for any damages that may, directly or indirectly, arise to people, things and pets as a result of failure to observe all the instructions indicated in this instruction booklet and especially concerning the warnings on the subject of installation, use and maintenance of the device.

The costs for returning the replacement device to the user are borne by F.I.C.G. International Srl.



IMPORTANT INFORMATION FOR ENVIRONMENTALLY COMPATIBLE DISPOSAL

IMPORTANT: This product complies with EU Directive 2002/96/EC

The crossed-out wheeled bin symbol shown on the appliance indicates that the product, at the end of its useful life, must be treated separately from domestic waste and must be taken to a separate collection center for electrical and electronic equipment.

The user is responsible for taking the appliance at the end of its life to the appropriate collection facilities envisaged by current waste legislation. Adequate differentiated collection for the subsequent start-up of the appliance sent for environmentally compatible recycling, treatment and disposal helps to avoid possible negative effects on the environment and health and favors the recycling of the materials of which the product is made. For more detailed information regarding the collection systems available, contact your local waste disposal service. Manufacturers and importers fulfill their responsibility for recycling, treatment, environmentally compatible disposal both directly and by participating in a collective system.

The product is guaranteed for two years from the date of purchase.

To take advantage of the guarantee or to receive technical assistance, the following references must be contacted by e-mail: inzectoblucustomercare@inzecto.com

MAINTENANCE AND CLEANING

Cleaning from insect residues:

- Disconnect the device from the power source.
- Release and empty the Insect Collection Basket located at the base of the device by turning it clockwise, making sure that the Sponge Filter is also clean (Fig. 5).
- Remove the Fine Mesh Bag that encloses the Insect Collection Basket and, if necessary, clean it with water from any insects that may have remained trapped. Make sure it is completely dry at the end.
- It is possible to wash the Insect Collection Basket and the Sponge Filter with water. Dry well before reuse.
- Reposition the Insect Collection Basket and the related Fine Mesh Bag in its seat by turning it counter-clockwise (Fig. 6).
- Reactivate INZECTO BLUVY® by connecting the device to the power source.
- Perform cleaning once every 15 days, or more often if necessary.
- Do not use insecticides to kill any insects still alive at the time of cleaning, as they will reduce the attractiveness of the device.

ATTENTION! If you notice dangerous insects, e.g., wasps, hornets, still alive inside the container, leave the appliance running and wait for them to die from the natural process of dehydration.

In case of fan blockage:

- Disconnect the device from the power source.
- Release the Insect Collection Basket by turning it clockwise;
- Empty the Insect Collection Basket making sure that the Sponge Filter is clean;
- Clean the Fine Mesh Bag;
- Clean the fan blades using a small brush.
- Rewind the Fine Mesh Bag around the Insect Collection Basket;
- Reattach the Insect Collection Basket by turning it counterclockwise;
- Reactivate INZECTO BLUVY® by connecting the device to the power source.

ATTENTION! DO NOT IMMERSE INZECTO BLUVY® IN WATER FOR CLEANING



Made in Italy

BLUVY and INZECTO are trademarks of FLORIDA INSECT CONTROL GROUP, LLC.
BLUVY's technology is protected by patent US 11,751,55.

EPA. EST. NO. 99529-POL-1